

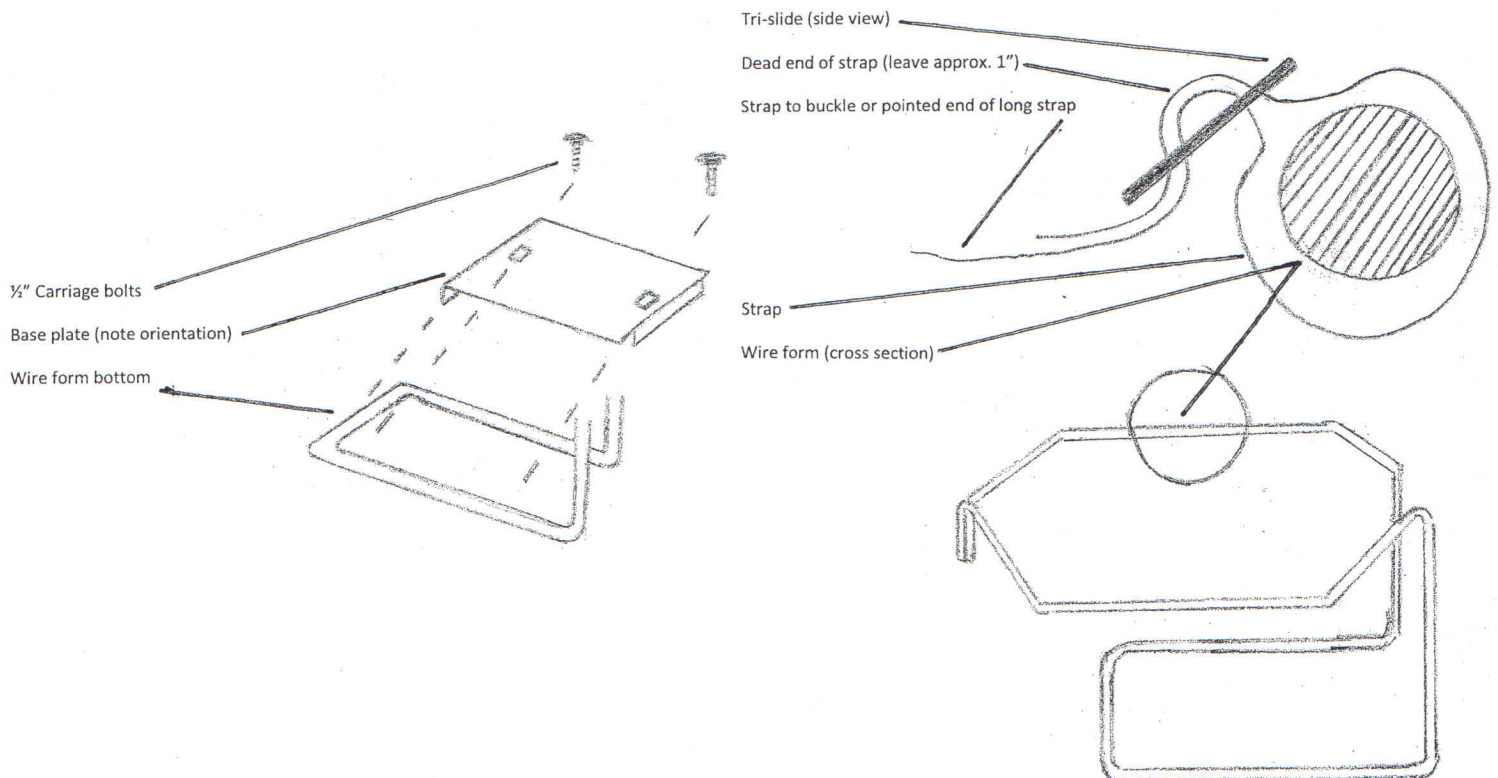
## FH-1 Fuel Can Holder Instructions

This fuel can holder is designed to be used with the D.O.T. approved NO-SPILL brand five gallon gas can.

The holder consists of a ½" diameter wire form; a base plate and two-piece strap with a cam lock buckle and strap attachment hardware. Attach the wire form to desired mounting location by positioning the base plate over the bottom of wire form with the legs facing down and labels facing up (Note: the base plate has two formed legs). The full width leg must be positioned on the outside of the closed end of the wire form, with the square hole on the opposite (inside) of wire form. The shorter leg will be towards the open end of wire form. When properly positioned and bolted down, the base plate will capture and prevent the wire form from moving in any direction. Attach the base plate using two ½" carriage bolts. **Due to many different construction techniques used on trailers, the hardware required to attach the rack is not included and must be acquired by the user.** ½" carriage bolts have a square shoulder that will fit into the square holes in the base plate and are available at almost any home or hardware store. NOTE: It is very important to use locking nuts; torque to 45-50 feet pounds. Check hardware often to make sure unit is secured.

Attach the straps to top of wire form as shown below. Cinch the straps tight to the wire form using the tri-slide.

Place the fuel can into the holder with the fuel can nozzle facing the open end of the holder. Route the strap thru the opening under the handle and secure. Cinch the strap tight and replace the strap when worn or weathered.



**WARRANTY:** 90 days against defects in material and workmanship, TrimmerTrap, Inc. reserves the right to repair or replace at its sole discretion the alleged defective TrimmerTrap product. Determination of validity of alleged defect claim will be made upon goods returned to us freight prepaid to our location in Louisville, KY. Call 1-800-279-8727 for a return goods authorization.