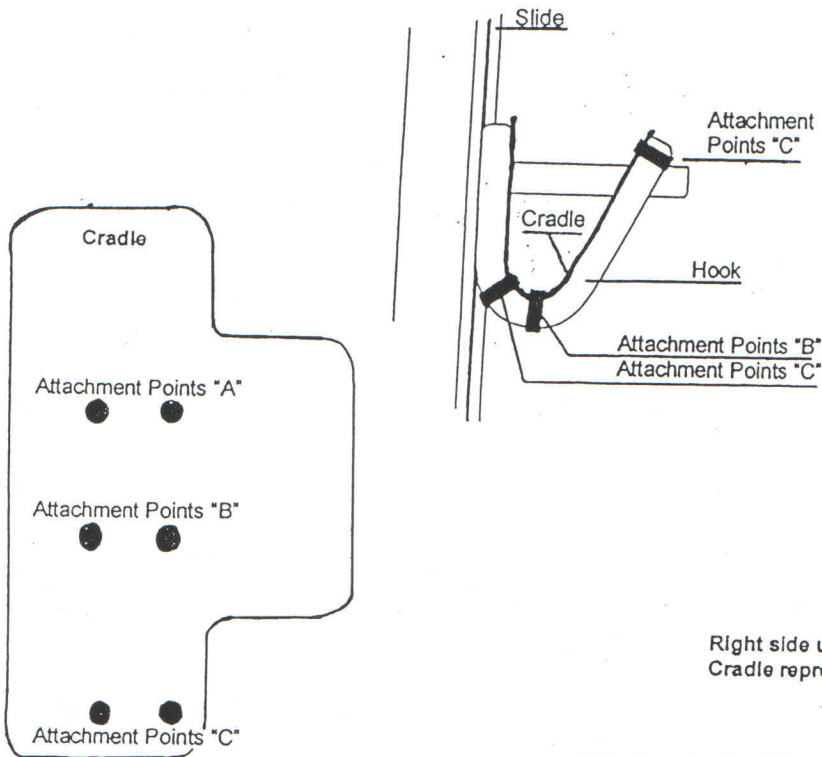


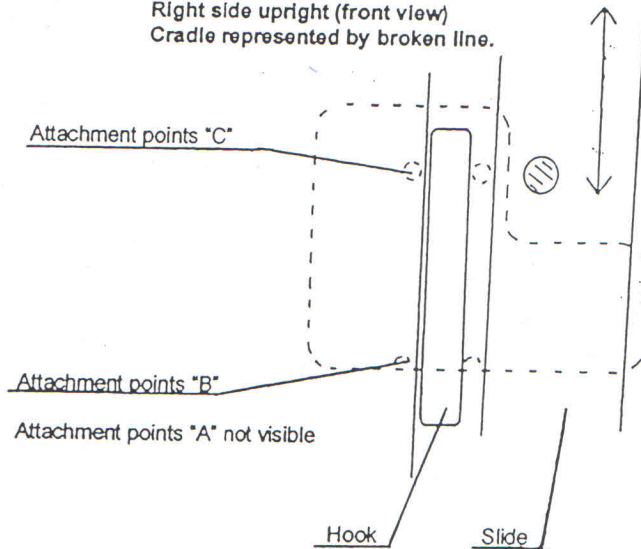
CS-1 Cradle Support Kit (for all TT-2 Trimmer Racks)

Thank you for purchasing a TrimmerTrap product. The cradles are designed to be used without the rubber caps supplied with your trimmer rack. Use three nylon ties to attach each cradle as shown below.

Right side upright (side view) Cradle represented by heavy line.



Right side upright (front view)
Cradle represented by broken line.



WARRANTY: 90 days against defects in material and workmanship, TrimmerTrap, Inc. reserves the right to repair or replace at its sole discretion the alleged defective TrimmerTrap product. Determination of validity of alleged defect claim will be made upon goods returned to us freight prepaid to our location in Louisville, KY. Call 1-800-279-8727 for a return goods authorization.