

The protective rubber caps must be properly installed and maintained to protect trimmers. (included with all TT-2 models) There are three different lengths of rubber caps included. The shortest length caps (2 & ¼" long) must be installed on three pins above the "U" shaped hooks on both uprights. The middle length caps (4 & ½" long) must be installed on each of the "U" shaped hooks on the **right side.** (slide side) Due to some trimmers having very soft handles, TrimmerTrap has an optional handle rest kit that replaces the rubber caps and will help protect these handles.

The longest caps (5 & 1/2" long) must be installed on each of the "U" shaped hooks on the **left side** upright where the trimmer shaft rests. Be certain all the caps are slid completely on. When properly installed there should be no metal to metal contact. **HINT:** Hair spray can be used as a lubricant to aid installation and will act as an adhesive to hold the caps in place after drying.

To install a trimmer in the rack, hold the trimmer as you normally do during use. First place the shaft on the "trimmer head" end of the trimmer into the hook on the left side upright. The trimmer will need to be at an angle approximately 45 degrees from the rack. (normally one or two steps back) While holding the trimmer with the power head end down slightly, step forward (towards the rack) with the trimmer and set the trimmer handle in the open cradle. While holding the trimmer in place, close the hinge and secure with the clip. With a little practice, this should take no more than two or three seconds! Trimmer racks that are properly installed, maintained and used for the purpose which they were designed, will protect and prevent damage to trimmers. TrimmerTrap, Inc. will not in any way be responsible for wear or damage to trimmers. A padlock can be installed in place of the clip to help secure trimmers against theft.

NOTE: IT IS THE PURCHASERS SOLE RESPONSIBILITY TO ASSURE THAT THE RACK IS INSTALLED SAFELY AND SECURELY TO A COMPONENT THAT WILL ADEQUATELY SUPPORT THE EQUIPMENT.

TT-2 Parts List

	<u>Quantity</u>	<u>Part #</u>
latch assembly (includes ball knob)	one	TT LA-1
ball knob (available separately)	one	TT NK-1
extension spring	one	TT Spring
2 & 1/2" rubber cap (TT-2 Pro 4 has eight)	six	
4 & 1/2" rubber cap (TT-2 Pro 4 has four)	three	
5 & 1/2" rubber cap (TT-2 Pro 4 has four)	three	
spiral wrap protector*	one	TT SW-1

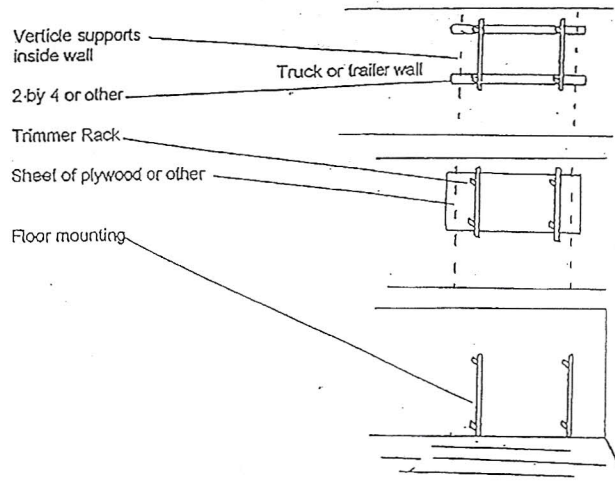
*Approximately 18" length included for TT-2 Original

*Approximately 24" length included for TT-2 Pro-4

NOTE: No mounting hardware included with any TT-2 Trimmer Racks.

Tube Kits available, call 800-279-8727 for part #.

Installation for ET TT-2 Trimmer Racks



WARRANTY: 90 days against defects in material and workmanship, TrimmerTrap, Inc. reserves the right to repair or replace at its sole discretion the alleged defective TrimmerTrap product. Determination of validity of alleged defect claim will be made upon goods returned to us freight prepaid to our location in Louisville, KY. Call 1-800-279-8727 for a return goods authorization.