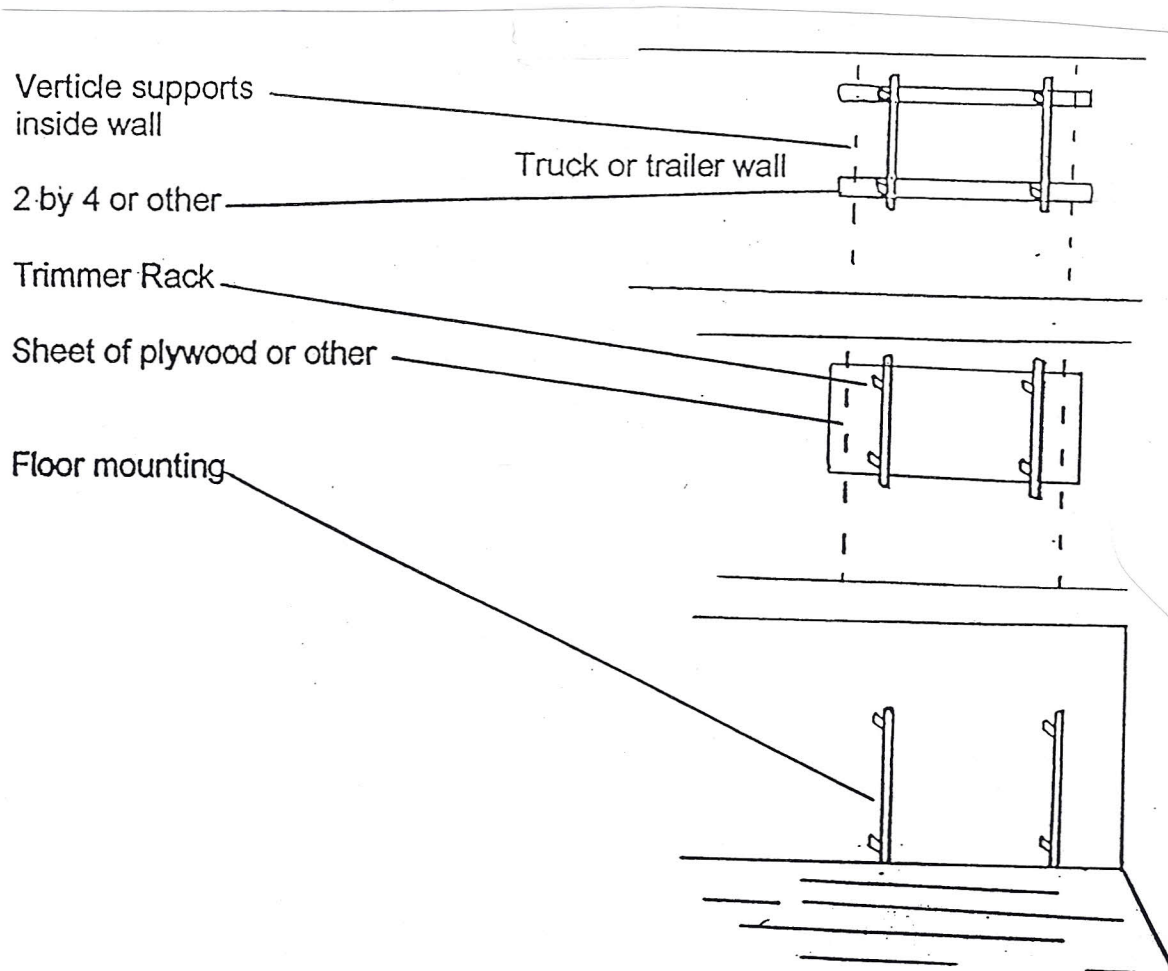


MB-4 Wall Mount Bracket Instructions

Thank you for purchasing a TrimmerTrap product. The MB-4 can be used to attach any TrimmerTrap (open trailer) trimmer rack to the inside of an enclosed truck and trailer. The brackets should be attached at the top and bottom of the uprights (two per upright). See the illustration below to position the top bracket of the right side. This bracket must be attached in this way so as to not interfere with the operation of the rack. Use two 5/16" bolts with 1/2" hex heads to provide clearance for the sliding mechanism. Attach the uprights to the wall using the holes in the opposite ends of the brackets.

If the vertical supports in the wall can not be utilized to provide a strong mounting point because of their spacing, the brackets can be attached to two horizontal pieces such as a 2 x 4 or other material that is long enough to span the vertical wall supports. A "sheet" of plywood or similar material can also be used to mount the entire rack and be positioned in the desired location. To hang the rack as mentioned above, the bottoms (excess) of each upright can be cut off (shortened). Another method is to set the uprights on the floor and then attach in place. This way the weight is supported on the floor instead of the wall, but keep in mind some floor space will be lost. See illustration below.

NOTE: IT IS THE PURCHASERS SOLE RESPONSIBILITY TO ASSURE THAT THE RACK IS INSTALLED SAFELY AND SECURELY TO A COMPONENT THAT WILL ADEQUATELY SUPPORT THE EQUIPMENT.



WARRANTY: 90 days against defects in material and workmanship, TrimmerTrap, Inc. reserves the right to repair or replace at its sole discretion the alleged defective TrimmerTrap product. Determination of validity of alleged defect claim will be made upon goods returned to us freight prepaid to our location in Louisville, KY. Call 1-800-279-8727 for a return goods authorization.