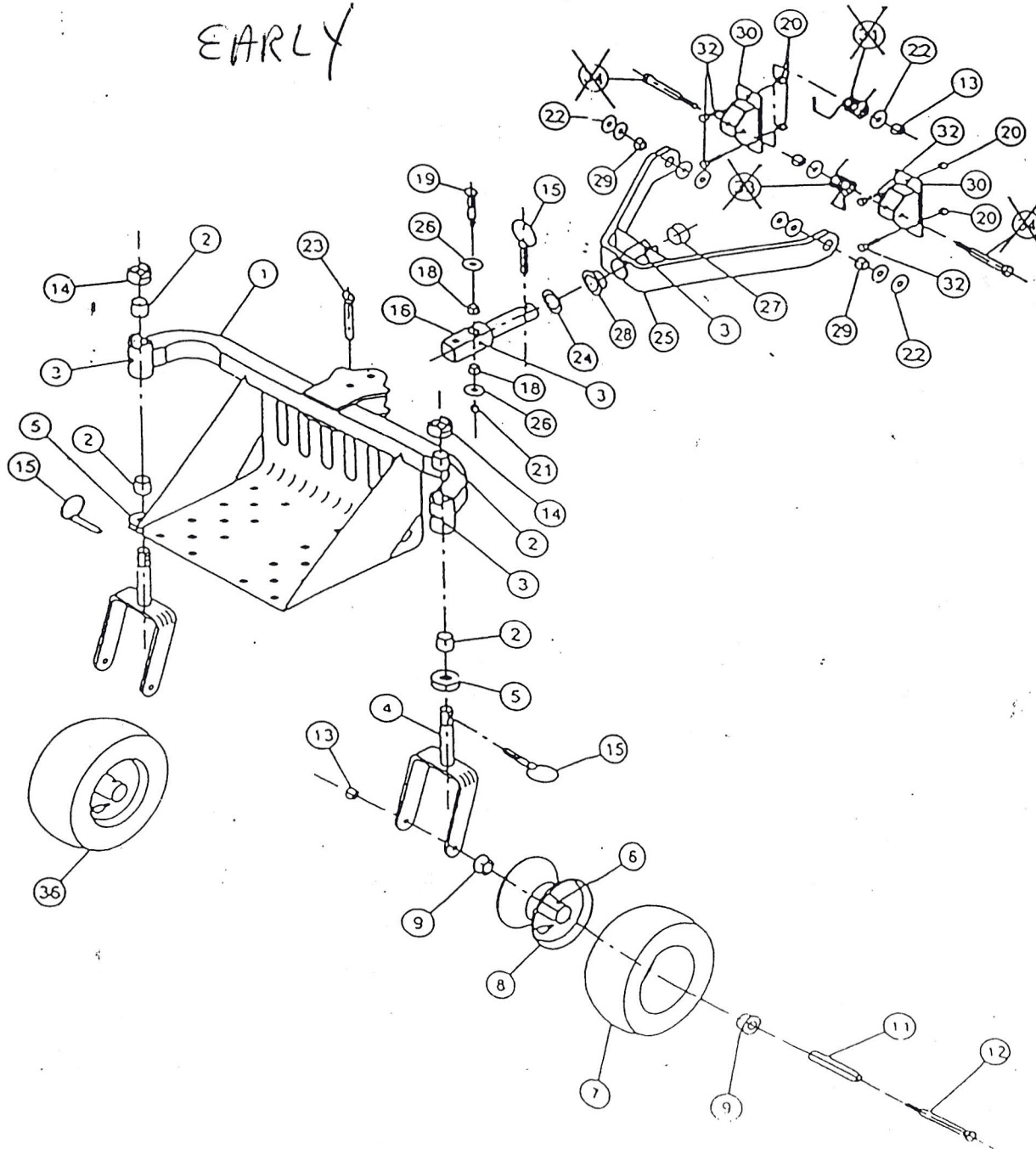


DM-1 BULL-RIDER

EARLY



PART NO.	DESCRIPTION	QT.
SP-01	FOOT PLATFORM WELDMENT	1
SP-02	CASTER BUSHING	4
SP-03	GREASE FITTING	4
SP-04	CASTER YOKE	2
SP-05	THRUST BEARING	2
SP-06	GREASE FITTING	2
SP-07	TIRE	2
SP-08	WHEEL (W/O BEARINGS)	2
SP-09	WHEEL BEARING	4
SP-11	AXLE SPANNER	2
SP-12	AXLE BOLT	2
SP-13	LOCK NUT	4
SP-14	CASTER LOCKING COLLAR	2
SP-15	LINCH PIN	3
SP-16	COUPLER	1
SP-18	NEEDLE BEARING	2
SP-19	BOLT	1
SP-20	LOCK NUT	4
SP-21	NUT	1
SP-22	SPACER	10
SP-23	LOCKING PIN	1
SP-24	MACHINE SPACER	1
SP-25	CONNECTING ARM WELDT	1
SP-26	Nylon FIBER WASHER	2
SP-27	BUSHING	1
SP-28	FLANGE BUSHING	1
SP-29	BUSHING	2
SP-30	MOWER MOUNT BRACKET	2
SP-31	LEFT SIDE TORSION SPRING	1
SP-32	BOLT	4
SP-33	RIGHT SIDE TORSION SPRING	1
SP-34	BOLT	2
SP-36	TIRE, WHEEL BEARRING ASSY	2

SP-85 CONNECTING ARM ASSY

SP-80 CHAIN & HOOK